

ANALYTICAL BALANCES AS



release date 19-07-2011



Balances series AS represent standard level of analytical balances. They feature backlit LCD display. Accuracy and reliability of measurement are determined by internal automatic adjustment/calibration system triggered by time flow or temperature conditions.

Analytical series AS is offered with capacities: 110, 160, 220, 310 g with readability of 0,1 mg and 60/220g with readability 0,1/0,01 mg.

GLP procedure in AS series has a form of report from balance adjustment/calibration process, and its format is non-modifiable. User has access to a spacious weighing chamber with sliding side and top glass doors. Each balance features RS 232 output and additional display slot.

AS series offers the possibility of weighing loads under the weighing pan, i.e. under-hook weighing. In such case the load is weighed under the pan. It is an alternative for loads with non-standard dimensions, shapes and loads which create magnetic field. Under-hook weighing is also applied for density determination of materials.



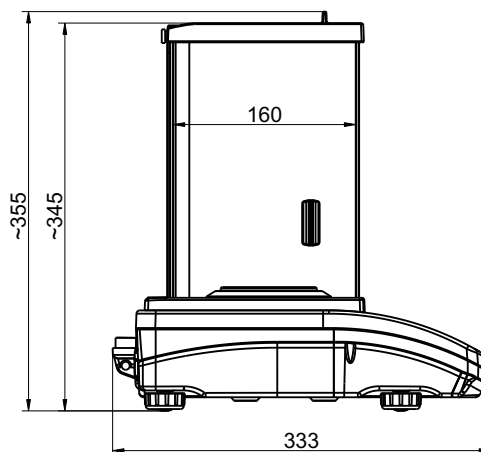
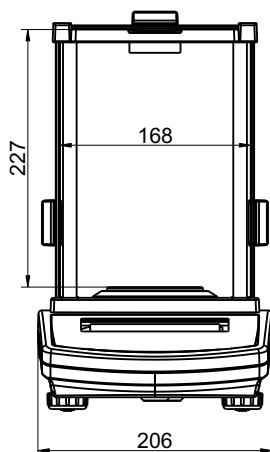
Parts counting



Density determination



Percent setup



Technical data:

	AS 60/220/C/2	AS 110/C/2	AS 160/C/2	AS 220/C/2	AS 310/C/2 **
Max capacity	60 g/220 g	110 g	160 g	220 g	310 g
Minimal load	1 mg	10 mg	10 mg	10 mg	10 mg
Readability	0,01 mg/0,1 mg	0,1 mg	0,1 mg	0,1 mg	0,1 mg
Tare range	-220 g	-110 g	-160 g	-220 g	-310 g
Repeatability *	0,04 mg / 0,1 mg	0,1 mg	0,1 mg	0,1 mg	0,1 mg
Linearity	± 0,07 mg / 0,2 mg	± 0,2 mg	± 0,2 mg	± 0,2 mg	± 0,3 mg
Pan size	ø 70 mm	ø 85 mm	ø 85 mm	ø 85 mm	ø 85 mm
Stabilization time	6/3,5 s	3,5 s	3,5 s	3,5 s	3,5 s
Sensitivity drift	1 ppm/°C in temperature +15° - +35°C				
Working temperature	+10° - +40°C				
Power supply	110 ÷ 230 V AC / 50 ÷ 60 Hz / 13,5 ÷ 16 V DC / 1,1 A				
Adjustment / Calibration	internal (automatic)				
Display	LCD (backlit)				
Net weight/Gross weight	5,6/8,3 kg	5,5/8,2 kg	5,6/8,3 kg	5,6/8,3 kg	5,6/8,3 kg
Packaging size	495×385×515 mm				

* Repeatability is expressed as a standard deviation from 10 weighing cycles.

** non-verified balance

Additional equipment:

Antivibration table for laboratory balances	Density determination kit
Professional weighing table	Additional LCD display "WD-3/01"
Kafka thermal printer	Additional adapter for pipettes calibration
Dot matrix Epson printer	Power adapter with battery and charger ZR-02
Holders for glass vessels	Rack for under hook weighing
Air density determination kit	Standard mass
PW-WIN computer software	Antistatic cable
RAD-KEY computer software	Cable RS 232 (scale - Kafka printer) "P0136"
REC-FS computer software	Cable RS 232 (scale - computer) "P0108"
Antistatic ionizer DJ-02	Cable RS 232 (scale, Epson , Citizen printer) "P0151"
Ambient conditions module	